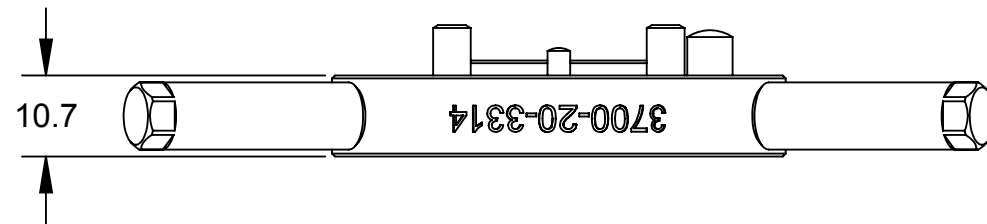
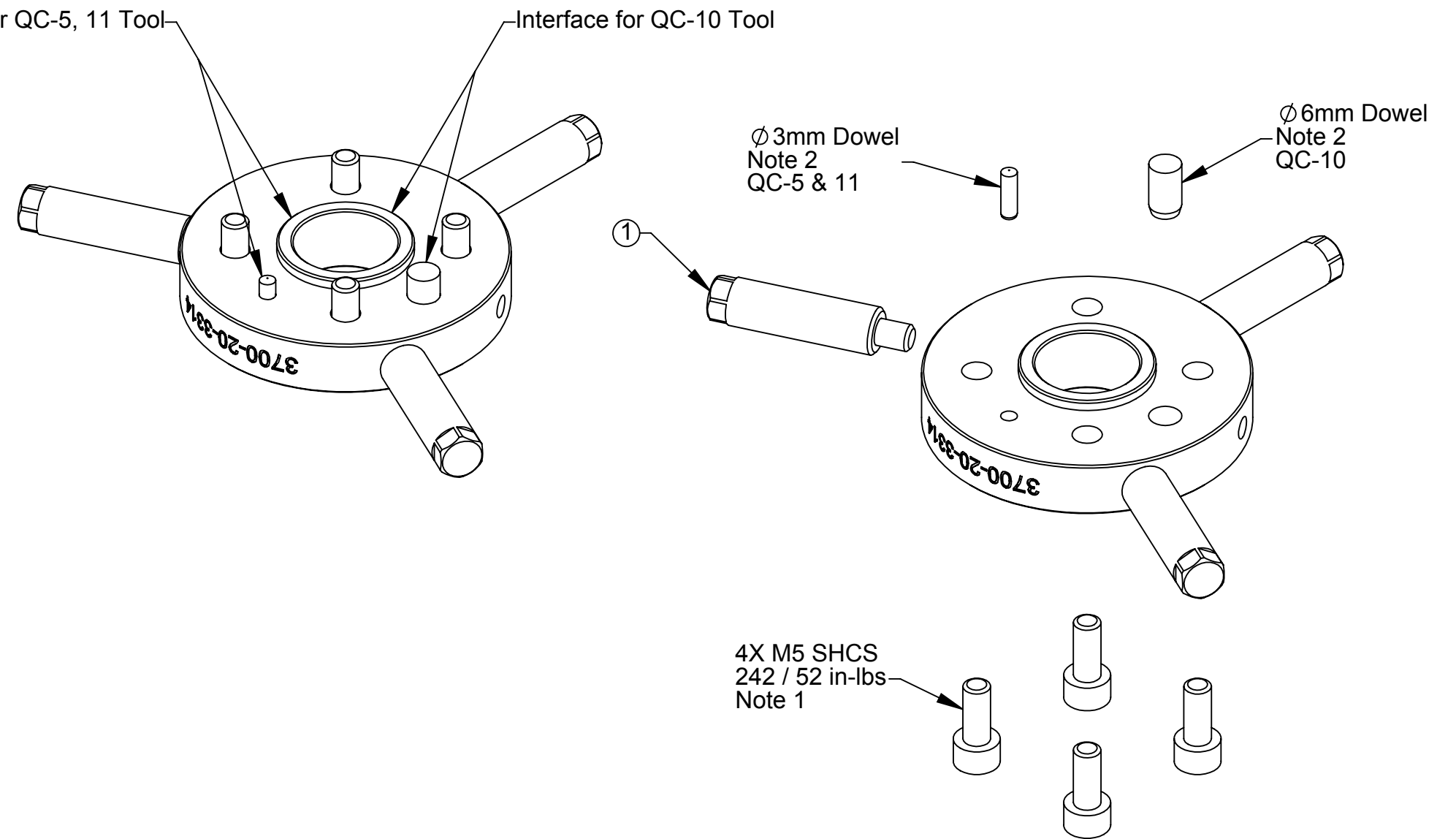
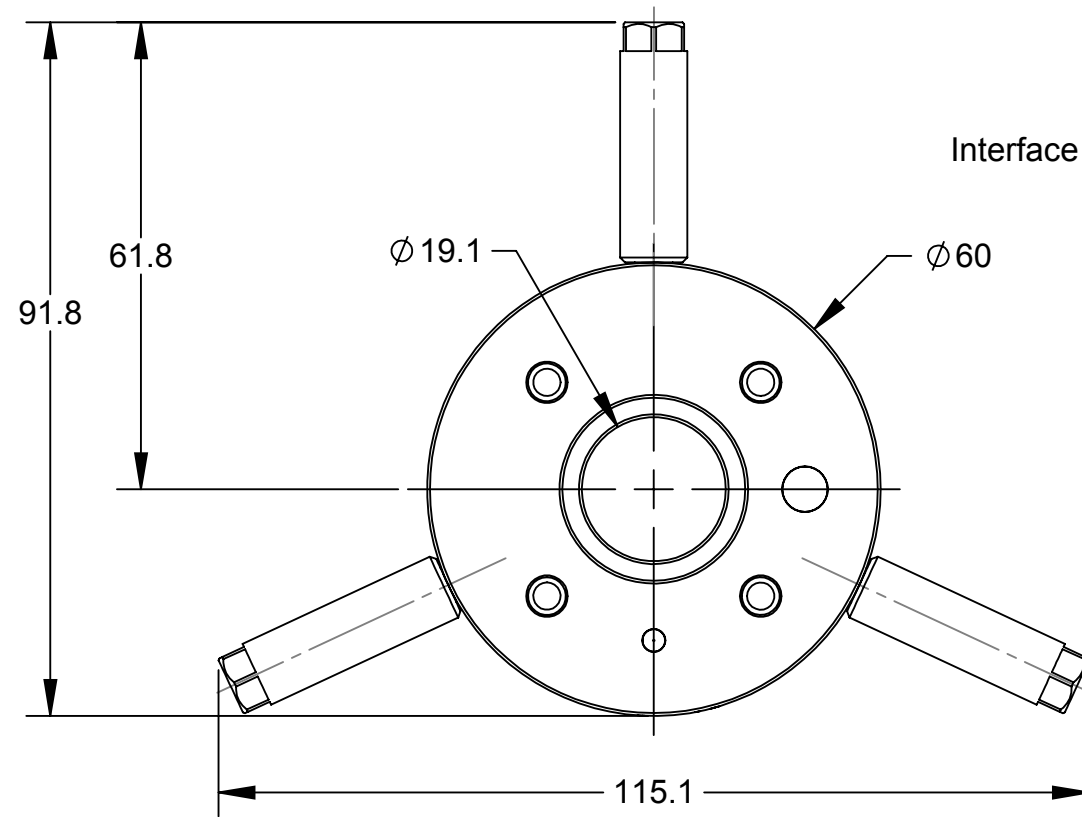



Rev.	Description	Initiator	Date
01	Initial Drawing	JMW	02/07/2014
02	ECO 12417: Added 'Serviceable Items' Table	DBoh	7/24/2014

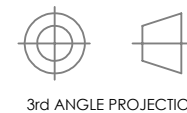


Serviceable Items			
ITEM NO.	QTY.	PART NUMBER	DESCRIPTION
1	3	3700-20-3303	ALIGNMENT PIN

Notes:

1. Customer to use Loctite or similar thread locker and torque to listed torque value.
2. Customer to install required dowel pin into QC Tool Body.

ITEM NO.	QTY.	PART NUMBER	DESCRIPTION
1	1	9120-TSS-HVQ-3314	TSS Tooling Interface Plate for QC-5, 10, 11 - 3 pins
NOTES: UNLESS OTHERWISE SPECIFIED.		 <p>1031 Goodworth Drive, Apex, NC 27539, USA Tel: +1.919.772.0115 Email: info@ati-ia.com Fax: +1.919.772.8259 www.ati-ia.com ISO 9001 Registered Company</p> <p>PROPERTY OF ATI INDUSTRIAL AUTOMATION, INC. NOT TO BE REPRODUCED IN ANY MANNER EXCEPT ON ORDER OR WITH PRIOR WRITTEN AUTHORIZATION OF ATI.</p>	
DO NOT SCALE DRAWING. ALL DIMENSIONS ARE IN MILLIMETERS.			
DRAWN BY: J. Winterroth, 2/07/14		TITLE	
CHECKED BY: D. Norton, 2/10/14		TSS Tooling Interface Plate for QC-5, 10, 11 - 3 pins	
PROJECT # -		SCALE	REVISION
SHEET 1 OF 1		1:1	02
		SIZE	DRAWING NUMBER
		B	9630-20-TSS-HVQ-3314



3rd ANGLE PROJECTION